

Unless otherwise specified:

Dimensions are in millimeters.
Tolerances according to DIN/ISO 2768-mK.
Debur and break sharp edges.

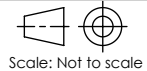
Material to comply with EU RoHS Directive 2002/95/EC.



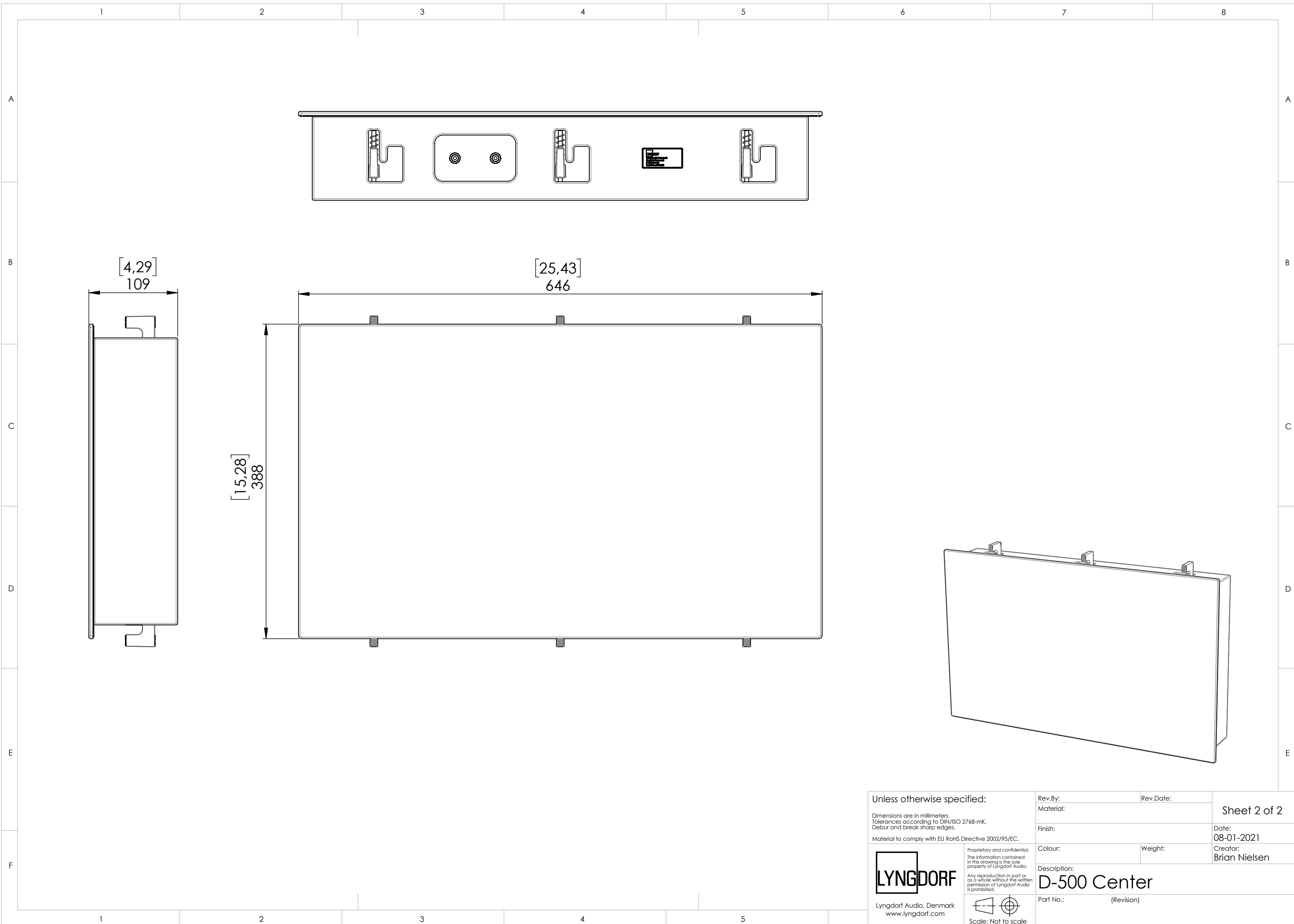
Lyngdorf Audio, Denmark
www.lyngdorf.com



Proprietary and confidential.
The information contained
in this drawing is the sole
property of Lyngdorf Audio.

Any reproduction in part or
as a whole without the written
permission of Lyngdorf Audio
is prohibited.



Rev.By:	Rev.Date:	Sheet 1 of 2
Material:		
Finish:		Date: 08-01-2021
Colour:	Weight:	Creator: Brian Nielsen
Description: D-500 Center		
Part No.:	(Revision)	



Unless otherwise specified: Dimensions are in millimeters. Tolerances according to DIN/ISO 2768-mK. Debur and break sharp edges. Material to comply with EU RoHS Directive 2002/95/EC.	Rev.By:	Rev.Date:	Sheet 2 of 2	
	Material:			Date: 08-01-2021
 Lyngdorf Audio, Denmark www.lyngdorf.com	Proprietary and confidential. The information contained in this drawing is the sole property of Lyngdorf Audio. Any reproduction in part or as a whole without the written permission of Lyngdorf Audio is prohibited.	Colour:	Weight:	
	Description: D-500 Center		Part No.:	(Revision)
	 Scale: Not to scale			