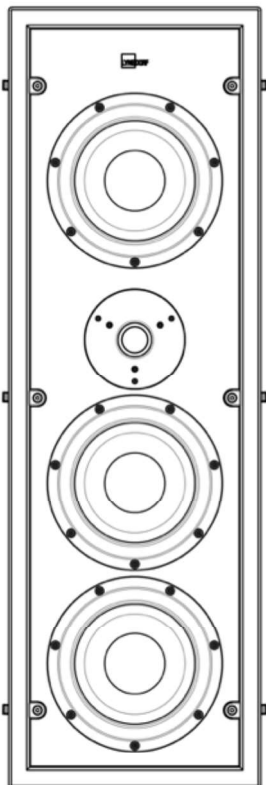


## PRE-INSTALLATION

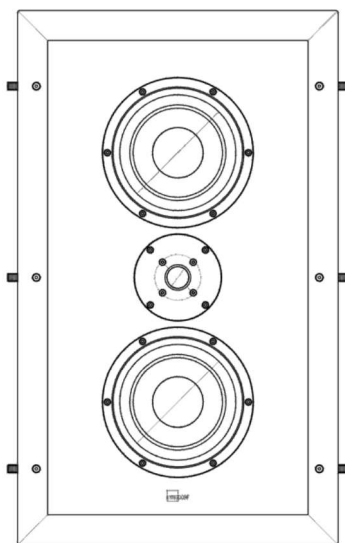
### Unpacking the loudspeaker

Carefully remove the loudspeaker units and accessories from the carton and check for shipping damage. Contact both the shipper and your local Lyngdorf Audio representative immediately if the unit bears any sign of damage from mishandling. In some cases, it may be necessary to return the equipment to Lyngdorf Audio or an authorized service provider for repair; therefore, it is recommended that you save your original packing materials. If this unit is shipped without the original packing, damage could occur and void the warranty.

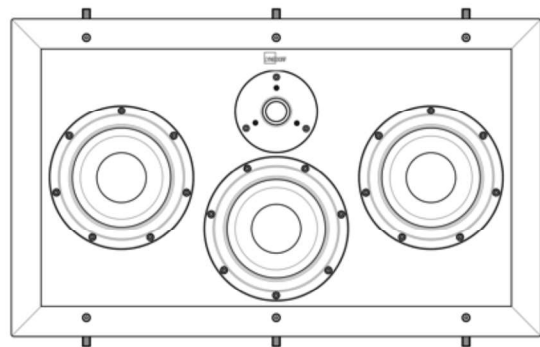
**D-500**



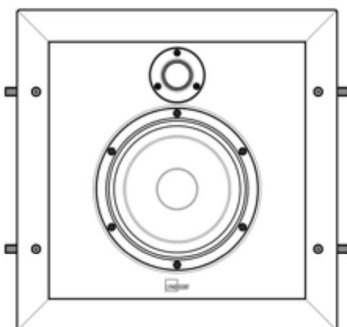
**D-60**



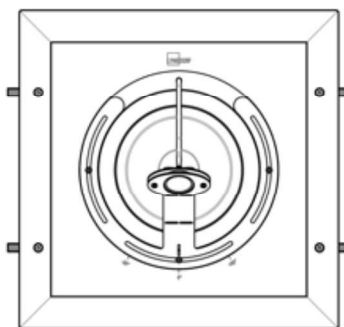
**D-500 Center**



**D-5**



**D-5 IC**



## Cut-out Hole Dimensions

Be sure there is ample clearance behind the wall or ceiling to allow for the speaker to be properly installed.

With all speaker models you will find the relevant cut-out template. The minimum cut-out dimensions required are:

Speaker	Cut-out height	Cut-out width	Speaker depth incl. cabinet
D-500	751 mm / 29.6 in	226 mm / 8.9 in	100 mm / 3.9 in
D-500 Center	360 mm / 14.2 in	618 mm / 24.3 in	104 mm / 4.1 in
D-60	618 mm / 24.3 in	360 mm / 14.2 in	104 mm / 4.1 in
D-5	334 mm / 13.2 in	334 mm / 13.2 in	104 mm / 4.1 in
D-5 IC	334 mm / 13.2 in	334 mm / 13.2 in	109 mm / 4.3 in

The cut-out width and height must be with a maximum deviation of +/- 2 mm or +/- 0.08 in.

The cut-out depth should allow a minimum of +2 mm or +0.08 in extra space behind the speaker cabinet.

## Placement of speakers

It is recommended to place the speakers so that they

- align acoustically with each other
- align with the screen and listener's ear height
- meet the guidelines for either stereo or surround sound placement

Listening view example:

