

# CUSTOM INSTALLATION SPEAKERS

FROM LYNGDORF AUDIO



# Custom installations with Lyngdorf Audio

Steinway Lyngdorf has a vast experience in designing home cinemas with the outstanding Steinway & Sons loudspeakers and sound processors, while the Lyngdorf MP-40 and MP-60 2.1 multichannel processors set new benchmarks for surround sound and immersive audio. The unique RoomPerfect™ room calibration aligns all speakers and woofers perfectly with each other and adapts the sound to any room.

With the LS and D speakers and the BW and DW woofers, Lyngdorf Audio brings its expertise in home cinema and loudspeakers to custom installation speakers. Different models to suit different installations, from a modern living room with in-wall speakers next to the TV up to the largest home theater with a big screen and immersive audio.

With Lyngdorf Audio you'll experience your favourite movies, games, and music on a new level of sound quality.





# D stands for discreet

The D speakers bring Lyngdorf Audio sound quality to the custom installation speaker market. After the successful introduction of Lyngdorf loudspeakers for modern living rooms, ranging from the MH and FR on-wall speakers and BW boundary woofers to the CS-1 cabinet speaker, the Lyngdorf D series expands the company's range with in-wall and in-ceiling speakers for stereo and multichannel installations.

D stands for discreet – all models are designed as installation speakers for discreet in-wall or in-ceiling integration, featuring a wall-fixing mechanism with mounting legs. All models also come with their own loudspeaker enclosure, making system planning and the actual installation as easy as possible, with no after-market backbox or closed wall cavity required. This also ensures that the sound performance is always defined and consistent, depending less on the wall construction and the available space behind the wall.



**Lyngdorf D-500**  
Full-range custom installation in-wall speaker with closed cabinet



**Lyngdorf D-60**  
High-performance custom installation in-wall speaker with closed cabinet



**Lyngdorf D-500 Center**  
Full-range custom installation in-wall center speaker with closed cabinet



**Lyngdorf D-5**  
Compact and versatile installation in-wall speaker with closed cabinet

**Lyngdorf D-60 C**  
High-performance custom installation in-wall center speaker with closed cabinet



**Lyngdorf D-5 IC**  
Compact and versatile installation in-ceiling speaker with angled, adjustable tweeter and closed cabinet

**Lyngdorf D-6**  
Compact two-way in-wall speaker without enclosure



**Grills**  
All Discreet models come with a white, magnetically held and detachable metal grill that fully covers the front





# LS-1000 for large home cinemas

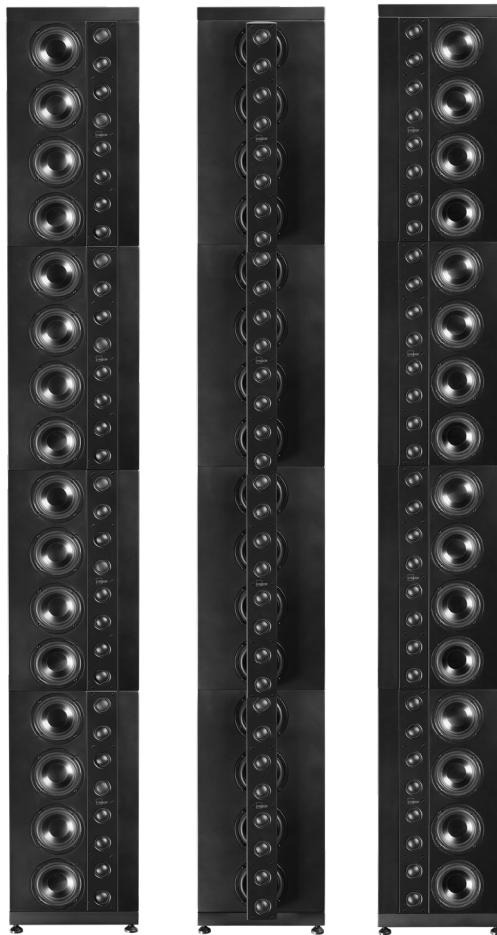
With our experience in creating speakers for Steinway Lyngdorf reference home theaters, especially the outstanding Steinway & Sons LS models, combined with our experience from the Lyngdorf MH and FR speakers, our engineers have developed the LS-1000 for Lyngdorf Audio systems. Four LS-1000 modules combined create a line source speaker, with each module consisting of four 115mm midrange drivers with light aluminum cones, 25mm voice coils and powerful vented magnets, complemented by eight 1" soft dome tweeters. Four LS-1000 modules combined result in a line array with 16 midrange drivers and 32 tweeters. Depending on the room width, seat layout, speaker position and screen size, three different LS-1000 models have been designed for the best sound dispersion into the room:

## **Lyngdorf LS-1000 Center**

has the tweeters mounted centered, leading to a wider sound dispersion equal to the left and right. This makes it an ideal choice as Center speaker behind an acoustically transparent screen, or even as left and right speakers to achieve the widest possible listening area in a wide room.

## **Lyngdorf LS-1000 Left**

has a sound dispersion slightly beaming inwards when placed on the left side, away from the sidewall and towards the listening area.



## **Lyngdorf LS-1000 Right**

has a sound dispersion slightly beaming inwards when placed on the right side, away from the sidewall and towards the listening area.

# The largest Lyngdorf boundary woofer

The BW-20 complements the Lyngdorf LS and Discreet custom installation speakers, designed for both stereo and multichannel systems. BW stands for Boundary Woofer – a Lyngdorf approach where a sub-woofer is designed to be placed near the wall boundaries, for example right in the corner, achieving the best bass impulse response by avoiding delayed bass bouncing back off the walls, instead taking advantage of room acoustics. The BW-20 is the company's largest BW model, extending the line-up of the compact in-room woofers BW-2 and BW-3.

Two 12" woofers are equipped with vented magnets, double spiders, and aluminum cones, built into a large cabinet volume and a rigid construction. This makes the BW-20 a very capable woofer in any room and system. The woofers are high-excursion designs, reaching an excursion of +/- 20mm and enabling the BW-20 to play the lowest frequencies on a very high volume level, with a max. SPL of 118dB. The BW-20 is a passive design with an IEC power handling of 700W, allowing users to choose an individual power amplifier for the best system match.





# Impressive bass from a shallow design

The DW-1 and DW-10 are high-performance in-wall woofers specifically made for custom installations requiring the most shallow construction. The rigid enclosure perfectly fits 4 inch / 10 cm or 6 inch / 15 cm cavity walls respectively, while the extended height provides a large inner cabinet volume. In combination with very powerful aluminum woofers the DW-1 and DW-10 deliver impressive bass performance. The DW-10 uses two of the 10-inch woofers in parallel for a higher sensitivity, even higher SPL and more dynamic headroom, for example for larger rooms. Both DW models are designed for in-wall installations and come with a paintable, magnetically held grill to cover the woofer front.

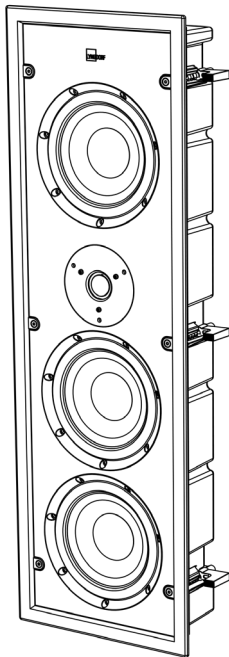
The very limited depth inside an in-wall woofer requires a special high-performance driver. The DW-1 and DW-10 utilize a patented high-excursion shallow woofer design, customized for Lyngdorf Audio and based on an innovative voice-coil / cone geometry and suspension which allows the highest excursion from the most space-saving construction. A four-layer voice coil, ultra-rigid dual aluminum cone, a very powerful neodymium magnet and an extremely rigid cast basket provide impressive bass performance, achieving a high output level and low reach. The high-bandwidth design ensures an accurate, fast response and allows the most seamless sound integration with the main speakers.







# Specifications



**Model:** Lyngdorf D-500

**Description:** 2 way speaker with 2 passive woofers

**Tweeter:** 28 mm / 1,1" soft dome

**Midrange driver:** 175 mm, 38 mm voice coil, aluminum cone, vented magnet

**Passive woofer:** 2 x 175 mm, aluminum cones

**Enclosure:** Closed compound cabinet

**Frequency range:** 50 – 22.000 Hz (-3 dB)

**Nominal Impedance:** 4 Ohm

**Sensitivity:** 88 dB (2.83V/1m)

**Power handling:** 100 W (IEC)

**Maximum SPL:** 105 dB

**Crossover point:** 2,5 kHz

**Connections:** Binding posts

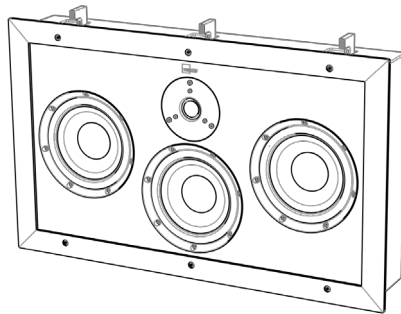
**Mounting:** In-wall

**Dimensions with grill (W x H x D):** 254 x 779 x 106 mm / 10 x 30.7 x 4.2 inches

**Cut-out dimensions (W x H x D):** 226 x 751 x 100 mm / 8.9 x 29.6 x 3.9 inches

**Weight:** 7,4 kg / 16 lb

**Finish:** Matte black, white grill



**Model:** Lyngdorf D-500 Center

**Description:** 2 way speaker with 2 passive woofers

**Tweeter:** 28 mm / 1" soft dome

**Midrange driver:** 175 mm, 38 mm voice coil, aluminum cone, vented magnet

**Passive woofers:** 2 x 175 mm, aluminum cones

**Enclosure:** Closed MDF cabinet

**Frequency range:** 50 – 22.000 Hz (-3 dB)

**Nominal Impedance:** 4 Ohm

**Sensitivity:** 88 dB (2.83V/1m)

**Power handling:** 100 W (IEC)

**Maximum SPL:** 105 dB

**Crossover point:** 2,5 kHz

**Connections:** Binding posts

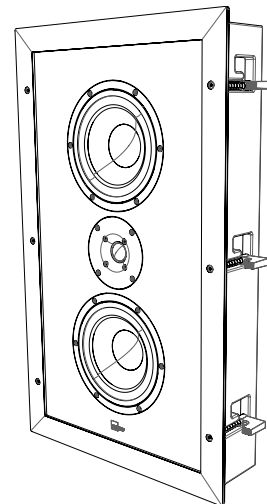
**Mounting:** In-wall

**Dimensions with grill (W x H x D):** 646 x 388 x 109 mm / 25.4 x 15.3 x 4.3 inches

**Cut-out dimensions (W x H x D):** 618 x 360 x 104 mm / 24.3 x 14.2 x 4.1 inches

**Weight:** 11,5 kg / 25.4 lb

**Finish:** Matte black, white grill



**Model:** Lyngdorf D-60

**Description:** Custom installation 2 way speaker

**Tweeter:** 28 mm / 1" soft dome

**Midrange/woofer:** 2 x 180 mm, 38 mm voice coil, aluminum cone, vented magnet, die-cast vented basket

**Enclosure:** Closed MDF cabinet

**Frequency range:** 80 – 22.000 Hz (-3 dB)

**Nominal Impedance:** 4 Ohm

**Sensitivity:** 92 dB (2.83V/1m)

**Power handling:** 200 W (IEC)

**Maximum SPL:** 112 dB

**Crossover point:** 2,5 kHz

**Connections:** Binding posts

**Mounting:** In-wall

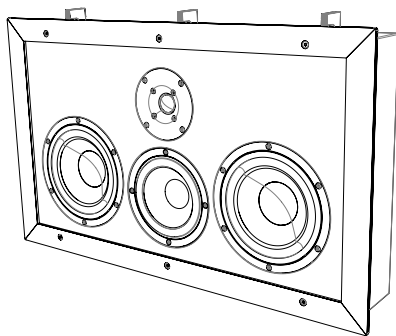
**Dimensions (W x H x D):** 388 x 646 x 104 mm / 25.4 x 15.3 x 4.1 inches

**Cut-out dimensions (W x H x D):** 360 x 618 x 100 mm / 24.3 x 14.2 x 3.9 inches

**Weight:** 11,4 kg / 25.1 lb

**Finish:** Matte black, white grill





**Model:** Lyngdorf D-60 C

**Description:** Custom installation in-wall center and front speaker, for bi-amping

**Tweeter:** 1 x 28 mm / 1,1" soft dome with large magnet

**Midrange/woofer:** 1 x 13 cm / 5" with neodymium magnet and 35mm voice coil, 2 x 180 mm, 35 mm voice coil, aluminum cone, vented magnet, die-cast vented basket

**Enclosure:** Closed MDF cabinet

**Frequency range:** 80 – 22.000 Hz (-3 dB)

**Nominal Impedance:** 4 Ohm

**Sensitivity:** 92 dB (2.83V/1m)

**Power handling:** 300 W

**Maximum SPL:** 116 dB

**Connections:** Push-type spring terminal, gold-plated

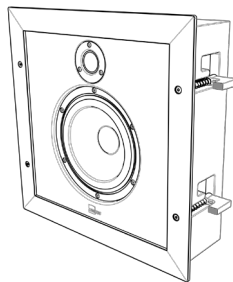
**Mounting:** In-wall

**Dimensions (W x H x D):** 388 x 646 x 104 mm / 25.4 x 15.3 x 4.1 inches

**Cut-out dimensions (W x H x D):** 360 x 618 x 100 mm / 24.3 x 14.2 x 3,9 inches

**Weight:** 13,9 kg / 30.6 lb

**Finish:** Matte black, white grill



**Model:** Lyngdorf D-5

**Description:** 2 way speaker

**Tweeter:** 25 mm / 1" soft dome

**Midrange driver:** 180 mm, 35 mm voice coil, aluminum cone, vented magnet

**Enclosure:** Closed MDF cabinet

**Frequency range:** 80 - 20,000 Hz (-3 dB)

**Nominal Impedance:** 4 Ohm

**Sensitivity:** 89 dB (2.83V/1m)

**Power handling:** 100 W (IEC)

**Maximum SPL:** 106 dB

**Crossover point:** 2,2 kHz

**Connections:** Binding posts

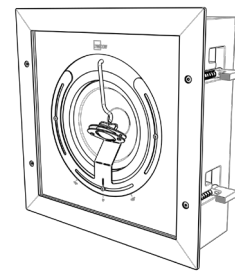
**Mounting:** In-wall

**Dimensions with grill (W x H x D):** 362 x 362 x 109 mm / 14.25 x 14.25 x 4.3 inches

**Cut-out dimensions (W x H x D):** 334 x 334 x 104 mm / 13.2 x 13.2 x 4.1 inches

**Weight:** 6,4 kg / 14.1 lb

**Finish:** Matte black, white grill



**Model:** Lyngdorf D-5 IC

**Description:** 2 way speaker

**Tweeter:** 25 mm / 1" soft dome

**Midrange driver:** 180 mm, 35 mm voice coil, aluminum cone, vented magnet

**Enclosure:** Closed MDF cabinet

**Frequency range:** 80 - 20,000 Hz (-3 dB)

**Nominal Impedance:** 4 Ohm

**Sensitivity:** 88 dB (2.83V/1m)

**Power handling:** 100 W (IEC)

**Maximum SPL:** 105 dB

**Crossover point:** 2,2 kHz

**Connections:** Binding posts

**Mounting:** In-ceiling

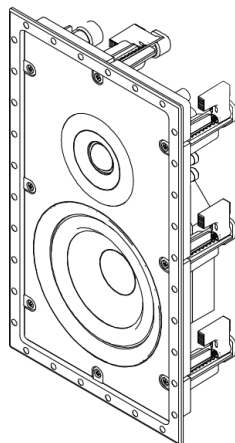
**Dimensions with grill (W x H x D):** 362 x 362 x 114 mm / 14.25 x 14.25 x 4.5 inches

**Cut-out dimensions (W x H x D):** 334 x 334 x 109 mm / 13.2 x 13.2 x 4.3 inches

**Weight:** 6,9 kg / 15.2 lb

**Finish:** Matte black, white grill





**Model:** Lyngdorf D-6

**Description:** Custom installation in-wall speaker without enclosure

**Drivers:** Tweeter: 1 x 28 mm / 1,1" soft dome with large magnet, midrange/woofer: 1 x 180 mm, 35 mm voice coil, aluminum cone, vented magnet, die-cast vented basket

**Enclosure:** Open back, MDF baffle

**Frequency range:** 51 – 22.000 Hz (-3dB)

**Nominal Impedance:** 6 Ohm

**Sensitivity:** 89 dB 2.83 v/ 1 m

**Power handling:** 150 W

**Maximum SPL:** 107 dB

**Connections:** Push-type spring terminal, gold-plated

**Mounting:** In-wall

**Dimensions (W x H x D):** 414 x 244 x 95 mm /

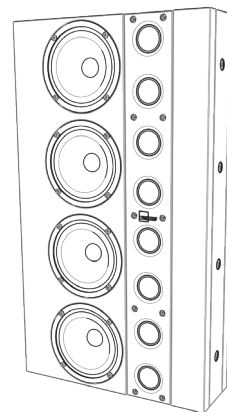
16.3 x 9.6 x 3.7 inches

**Cut-out dimensions (W x H x D):** 390 x 220 x 95 mm /

15.4 x 8.7 x 3.7 inches

**Weight:** 11,4 kg / 25.1 lb

**Finish:** Matte black



**Model:** Lyngdorf LS-1000 Left

**Description:** 2-way line source, closed

**Tweeter:** 8 pcs 1" soft dome

**Midrange driver:** 4 pcs 115 mm, 25mm voice coil, aluminum cone, vented magnet

**Enclosure:** MDF

**Frequency range:** 100 – 20.000 Hz (-3 dB) (for four LS-1000 modules)

*Frequency extension down to 50 Hz depending on EQ*

**Nominal Impedance:** 4 Ohm (for four LS-1000 modules) (16 Ohm per module)

**Sensitivity:** 98 dB (2.83 V/1 m) (for four LS-1000 modules)

**Power handling:** 300 W (IEC) (for four LS-1000 modules)

**Maximum SPL:** 120 dB (for four LS-1000 modules)

**Crossover point:** 1,8 kHz

**Connections:** Screw terminals

**Mounting:** In-wall

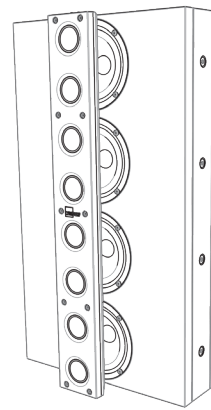
**Dimensions (W x H x D):** 280 x 500 x 85 mm / 11 x 19.7 x 3.35 inches + mounting

**Weight:** 9,9 kg / 21.8 lb

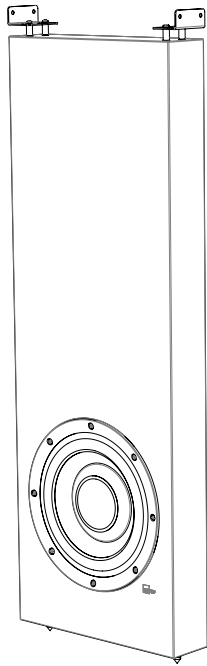
**Finish:** Matte black



**Model:** Lyngdorf LS-1000 Right  
**Description:** 2-way line source, closed  
**Tweeter:** 8 pcs 1" soft dome  
**Midrange driver:** 4 pcs 115 mm, 25mm voice coil, aluminum cone, vented magnet  
**Enclosure:** MDF  
**Frequency range:** 100 – 20.000 Hz (-3 dB) (for four LS-1000 modules)  
*Frequency extension down to 50 Hz depending on EQ*  
**Nominal Impedance:** 4 Ohm (for four LS-1000 modules) (16 Ohm per module)  
**Sensitivity:** 98 dB (2.83 V/1 m) (for four LS-1000 modules)  
**Power handling:** 300 W (IEC) (for four LS-1000 modules)  
**Maximum SPL:** 120 dB (for four LS-1000 modules)  
**Crossover point:** 1,8 kHz  
**Connections:** Screw terminals  
**Mounting:** In-wall  
**Dimensions (W x H x D):** 280 x 500 x 85 mm / 11 x 19.7 x 3.35 inches + mounting  
**Weight:** 9,9 kg / 21.8 lb  
**Finish:** Matte black



**Model:** Lyngdorf LS-1000 Center  
**Description:** 2-way line source, closed  
**Tweeter:** 8 pcs 1" soft dome  
**Midrange driver:** 4 pcs 115 mm, 25mm voice coil, aluminum cone, vented magnet  
**Enclosure:** MDF  
**Frequency range:** 100 – 20.000 Hz (-3 dB) (for four LS-1000 modules)  
*Frequency extension down to 50 Hz depending on EQ*  
**Nominal Impedance:** 4 Ohm (for four LS-1000 modules) (16 Ohm per module)  
**Sensitivity:** 98 dB (2.83 V/1 m) (for four LS-1000 modules)  
**Power handling:** 300 W (IEC) (for four LS-1000 modules)  
**Maximum SPL:** 120 dB (for four LS-1000 modules)  
**Crossover point:** 1,8 kHz  
**Connections:** Screw terminals  
**Mounting:** In-wall  
**Dimensions (W x H x D):** 280 x 500 x 132 mm / 11 x 19.7 x 5.2 inches + mounting  
**Weight:** 10,4 kg / 22.9 lb  
**Finish:** Matte black



**Model:** Lyngdorf DW-1

**Description:** Passive in-wall woofer

**Woofers:** 1 x 10-inch, dual aluminum cone, 4-layer voice coil, neodymium magnet

**Enclosure:** MDF with internal bracing, 19 mm and 16 mm

**Frequency range:** 30 – 200 Hz (-3 dB)

**Nominal Impedance:** 4 Ohm

**Power handling:** 300 W

**Maximum SPL:** 109 dB (60 V / 1 m)

**Sensitivity:** 82 dB (2.83 V / 1 m)

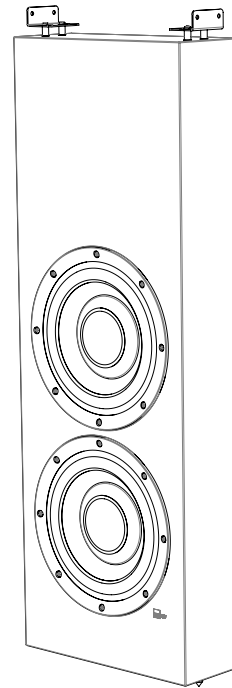
**Connections:** Push-type spring terminal, gold-plated

**Recommended placement:** In-wall floor-standing, boundary woofer

**Dimensions (W x H x D):** 350 x 1000 x 88 mm / 13,78 x 39,4 x 3,5 inches

**Weight:** 16 kg / 35,3 lbs

**Finish:** Matte black, paintable front grill



**Model:** Lyngdorf DW-10

**Description:** Passive in-wall woofer

**Woofers:** 2 x 10-inch, dual aluminum cone, 4-layer voice coil, neodymium magnet

**Enclosure:** MDF with internal bracing, 19 mm and 16 mm

**Frequency range:** 30 – 200 Hz (-3 dB)

**Nominal Impedance:** 4 Ohm (min. 2.6 Ohm @ 100 Hz)

**Power handling:** 300 W (IEC long term)

**Maximum SPL:** 115 dB (60 V / 1 m)

**Sensitivity:** 88 dB (2.83 V / 1 m)

**Connections:** Push-type spring terminal, gold-plated

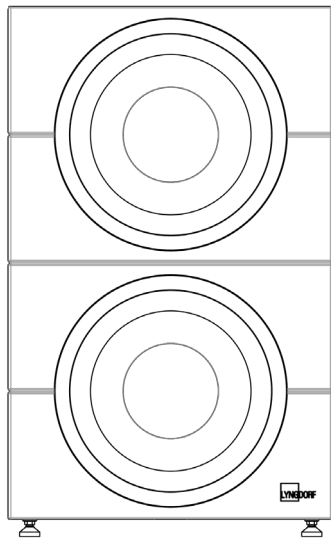
**Recommended placement:** In-wall floor-standing, boundary woofer

**Dimensions (W x H x D):** 350 x 1000 x 133 mm / 13,78 x 39,4 x 5,3 inches

**Weight:** 21 kg / 46,3 lbs

**Finish:** Matte black, paintable front grill





**Model:** Lyngdorf BW-20

**Description:** Passive boundary woofer, closed

**Woofer:** Two 12" long throw +/- 20mm, 67mm voice coil, aluminum cone, double spider, vented magnet

**Enclosure:** MDF, closed 64 L net

**Frequency range:** 19 – 500 Hz (-3 dB)  
*Frequency extension depending on EQ*

**Nominal Impedance:** 4 Ohm

**Power handling:** 700 W (IEC)

**Maximum SPL:** 118 dB

**Connections:** Neutrik speakON

**Mounting:** Floor standing

**Dimensions (W x H x D):** 450 x 710 x 270 mm /  
17.7 x 28 x 10.6 inch  
*(Cabinet without spike feet and woofer excursion)*

**Weight:** 35 kg / 77 lb

**Finish:** Matte black

