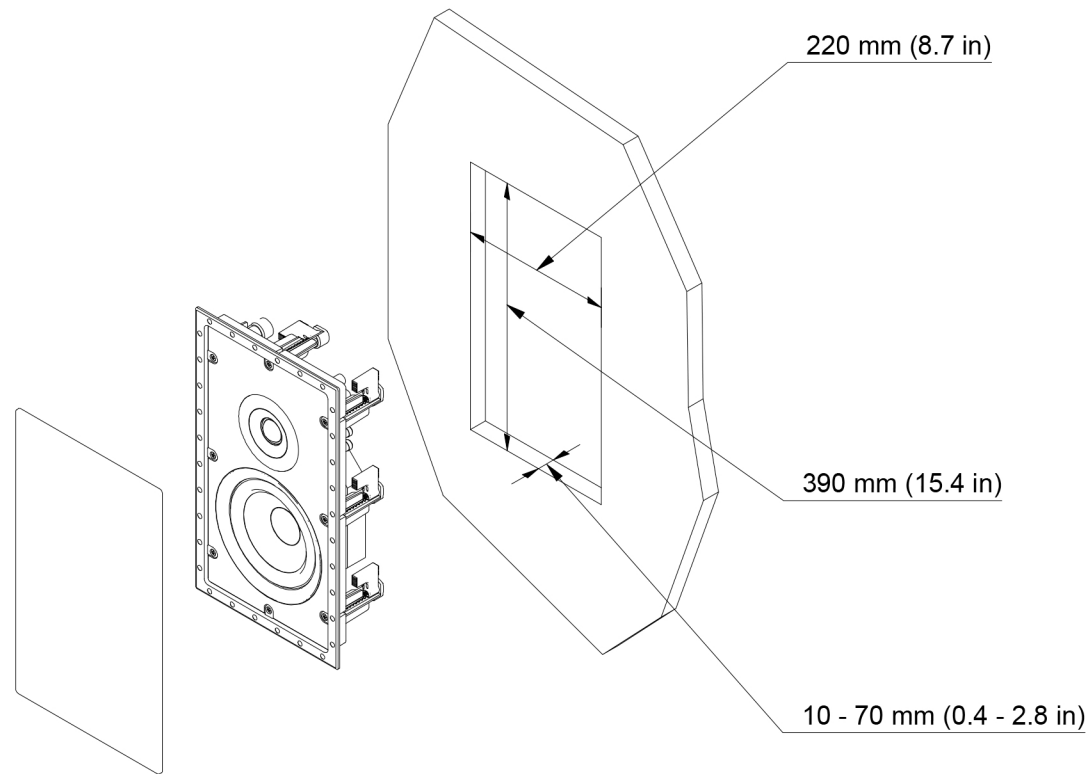
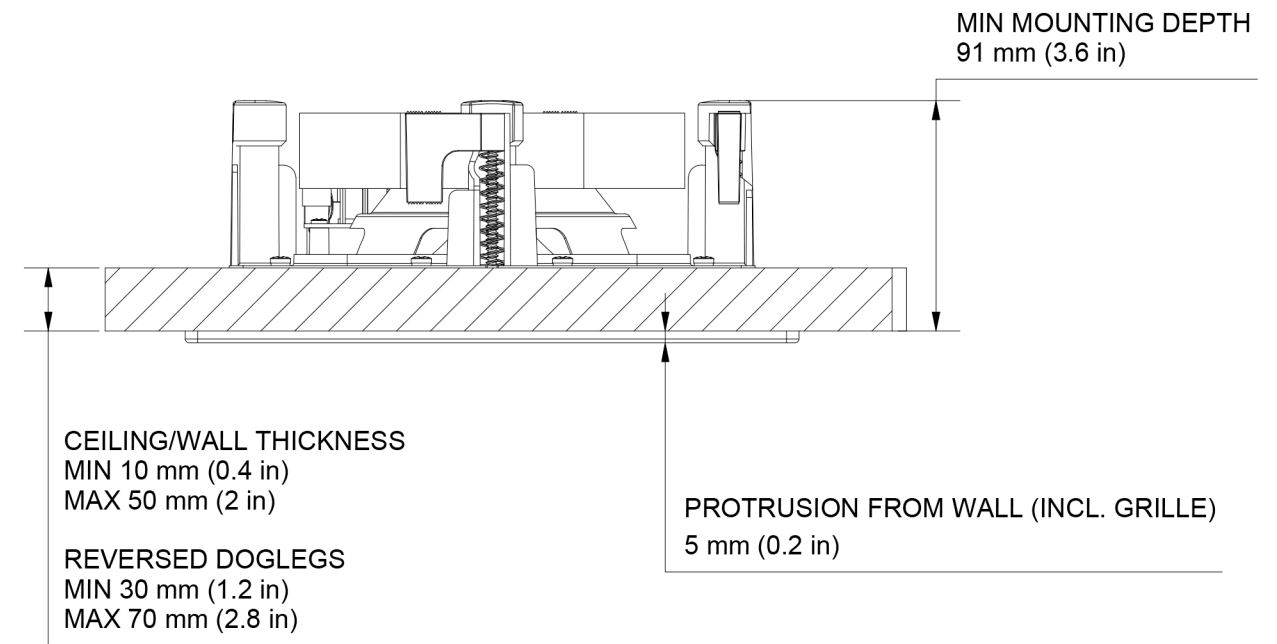


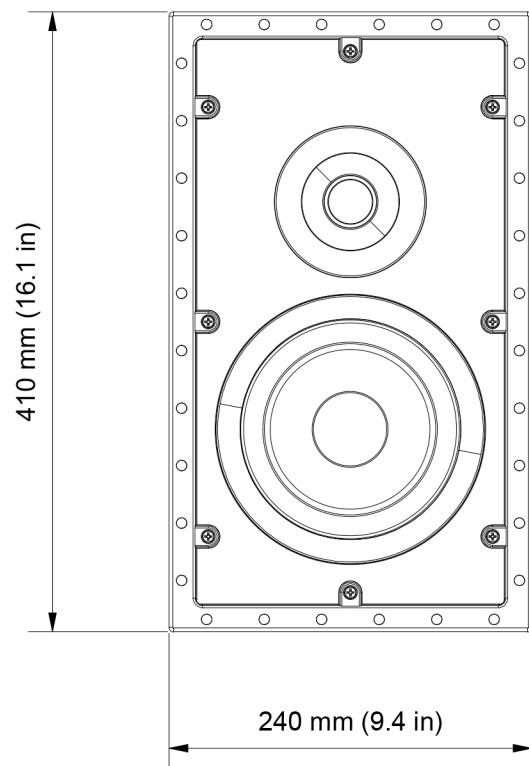
CUT-OUT DIMENSIONS



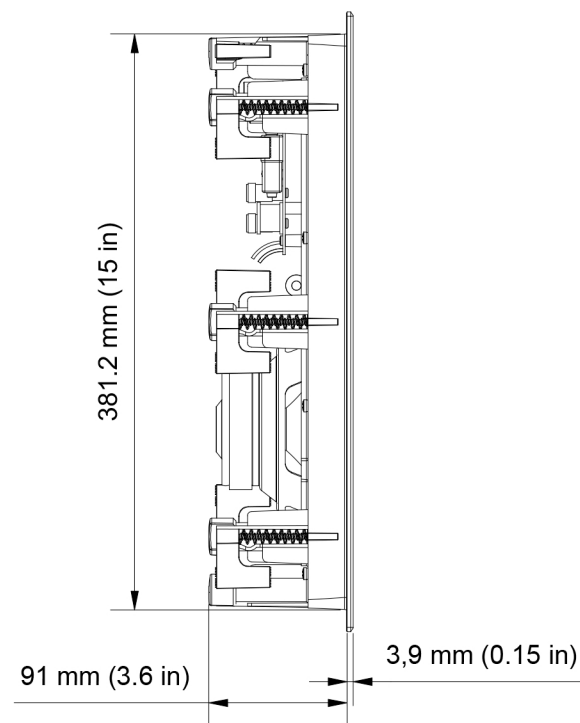
CEILING/WALL THICKNESS



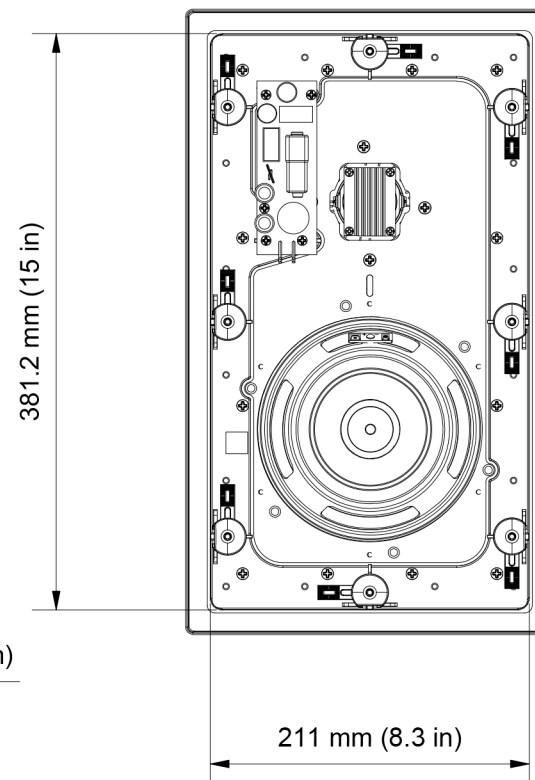
FRONT



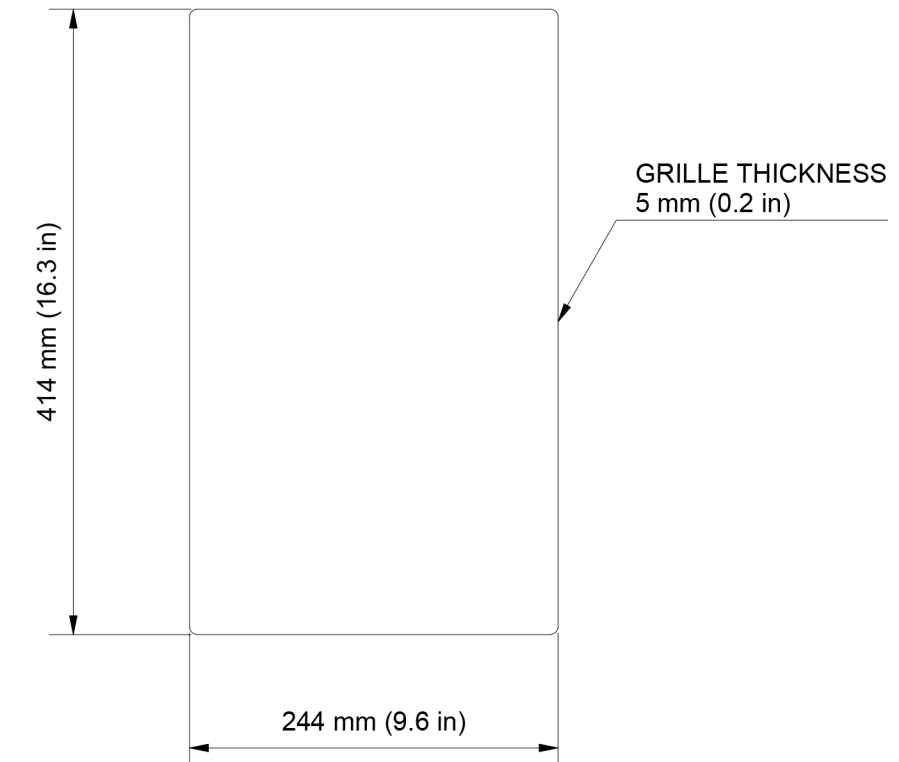
SIDE



BACK



GRILLE



MOUNTING DEPTH: 91 mm (3.6 in)
WEIGHT (INCL. GRILLE): 4.1 kg (9.04 lb)
RECOMMENDED REAR VOLUME (BACKBOX): 20 liters (10 - 35 liters)